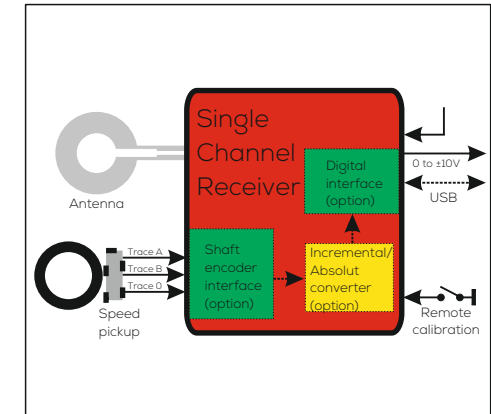
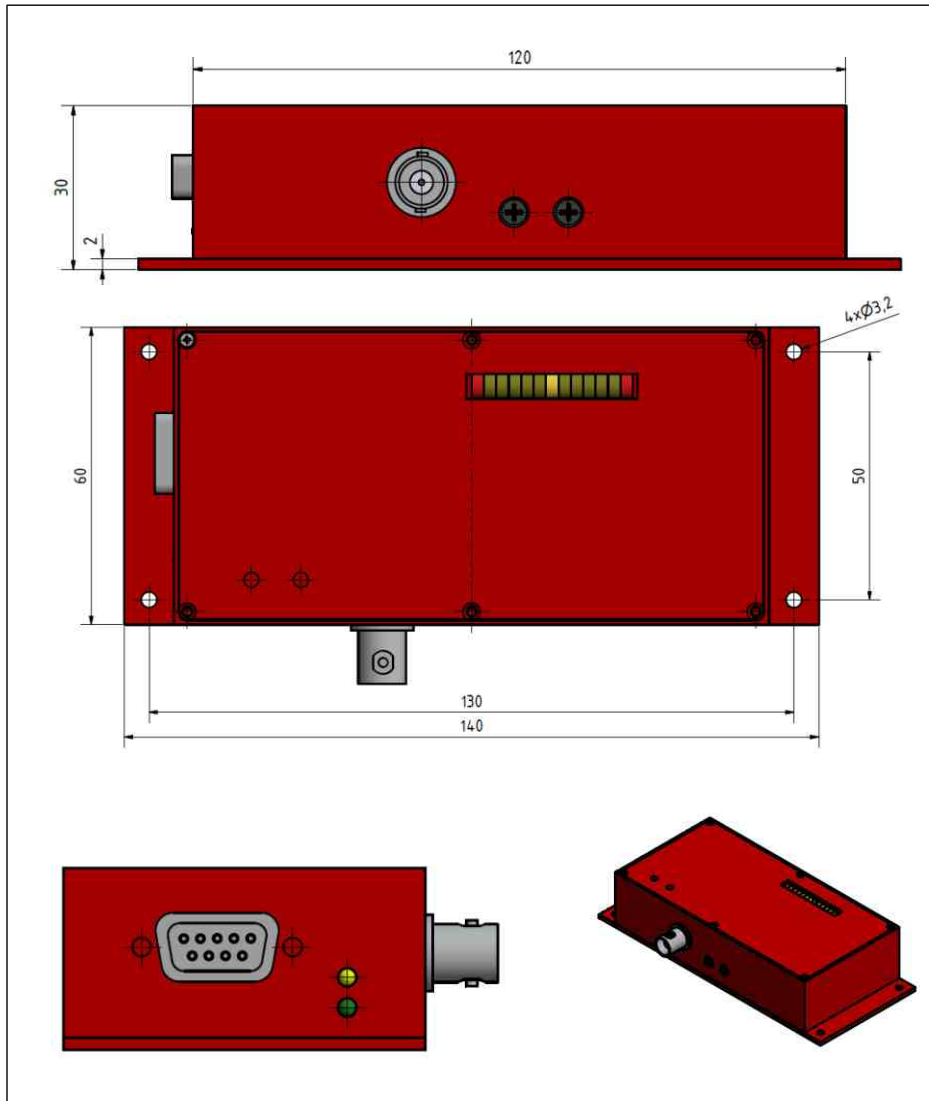


Evaluation Unit (AW_M)



1 Channel PCM Receiver

Bandwidth: 0 to 1 kHz (10kHz)

Output: 0 to $\pm 10V$, (0 (4) to 20 mA, frequency, binary)

RF power: 1 W, 3 W

Transmission: inductive sensor telemetry PCM, Wireless

Integrated filter

Resolution: 16 Bits

Remote shunt calibration

Environmental temperature range: -10 to +70°C (-45 to +85°C)

Supply: 24 ($\pm 5\%$) VDC, (0,4 A/3W), 10 to 36 VDC (board supply)

Type: AW_M_<Sys>_<Freq>_<mod>_<bandw>_<supply>_<RF-power>_<outA>_<Dint>_<Dz>_<temp>_<Mo>

-	-	F	1 kHz	24	1W	-	-	-	70	-
InBa	6,8	PCM12	2 kHz	24B	3W	U	USB	Dz	-45/85	Hu
Fu	3,4	PCM16	5 kHz			I				
InFu		PCM24	10 kHz			-				
						F				
						B				