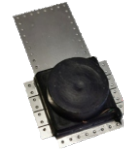


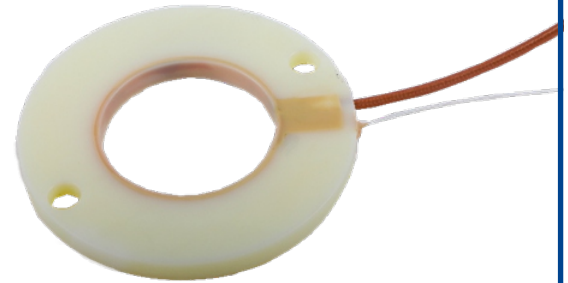
– the revolutionary torque acquisition for Industry 4.0 and machine monitoring (“patented”)

Advantages at a glance:

- ✓ Miniaturized dynamic torque measurement using strain gauge technology on a rotating shaft in stamp format
- ✓ compact TelMA Torque element with integrated sensor and telemetry interface
- ✓ simple assembly in series by means of micro-welding technology without affecting the shaft strength, without gluing, soldering or wiring
- ✓ integrated rotation speed measurement
- ✓ possible compensation of the bending moment influence by mounting 2 elements
- ✓ High accuracy and measurement signal resolution
- ✓ analogue or digital signal output
- ✓ digital, contactless signal transmission
- ✓ completely maintenance-free operation
- ✓ Diameter according to customer requirements 30mm - 500mm



TelMA Torque Sensor for welding
 Dimensions: 35,53 mm x 18,1 mm x 6,25 mm



Standard thickness B: 3.2 mm

Inner diameter Di: variable

Outer diameter Da= Di+ 12 mm

(Diameter according to customer requirements)

The system provides 3 measured variables:

- ✓ Torque
- ✓ Speed (optional)
- ✓ Temperature (only with digital output - CAN or USB interface)

Output signals of the evaluation unit for further processing:

- ✓ CAN
- ✓ Voltage output: 2,5 V +/- 2,25 V
- ✓ Current output: : 4 - 20 mA



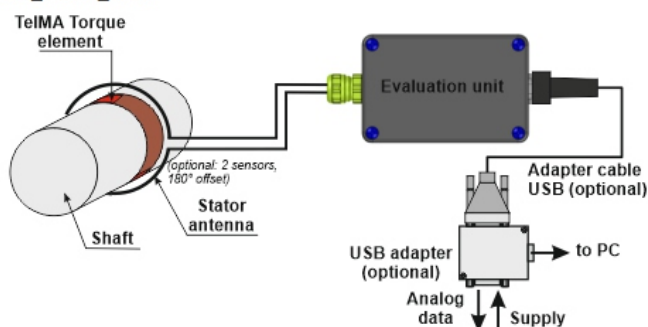
Industrial Version Ip67
 Dimensions: 131,8 mm x 64 mm x 34 mm



OEM Version Ip40
 Dimensions: 60,0 mm x 51 mm x 15,491 mm

Principle system structure:

AW_TELMA_IP67



AW_TELMA_IP40

